

QUERY CONTROL FORM		RTIS USE ONLY	
Application No. <u>09970593</u>	Prepared by <u>TW</u>	Tracking Number <u>0878630</u>	
Examiner-GAU <u>TRAN-2826</u>	Date <u>2-3-04</u>	Week Date <u>12-22-03</u>	
	No. of queries <u>1</u>		

JACKET			
a. Serial No.	f. Foreign Priority	k. Print Claim(s)	p. PTO-1449
b. Applicant(s)	g. Disclaimer	l. Print Fig.	q. PTOL-85b
c. Continuing Data	h. Microfiche Appendix	m. Searched Column	r. Abstract
d. PCT	i. Title	n. PTO-270/328	<input checked="" type="checkbox"/> s. Sheets/Figs
e. Domestic Priority	j. Claims Allowed	o. PTO-892	t. Other

SPECIFICATION	MESSAGE
a. Page Missing	
b. Text Continuity	<i>On Formal Drawing sheet 6/9 there are 2</i>
c. Holes through Data	<i>Figures Labeled as Figure 6B and none as Figure 6A.</i>
d. Other Missing Text	
e. Illegible Text	
f. Duplicate Text	
g. Brief Description	
h. Sequence Listing	
i. Appendix	
j. Amendments	
k. Other	
<b>CLAIMS</b>	
a. Claim(s) Missing	
b. Improper Dependency	<i>Please correct</i>
c. Duplicate Numbers	
d. Incorrect Numbering	<i>Thank You</i>
e. Index Disagrees	initials <i>TW</i>
f. Punctuation	<b>RESPONSE</b> <i>Fixed. See attached.</i>
g. Amendments	<i>-def</i>
h. Bracketing	
i. Missing Text	
j. Duplicate Text	
k. Other	
	initials

FIG. 6A

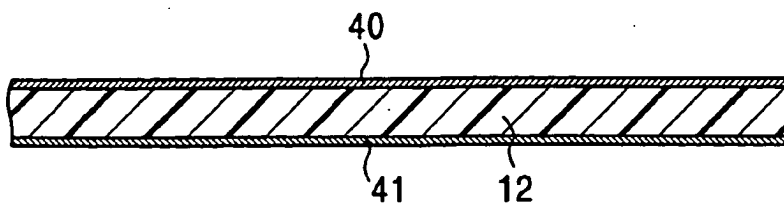


FIG. 6B

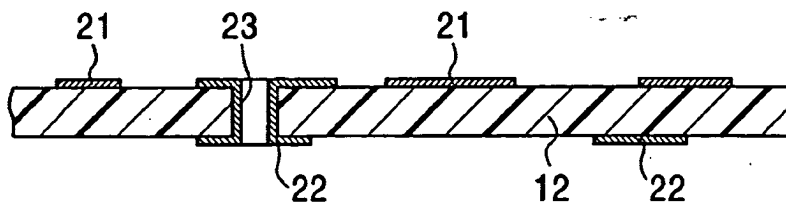


FIG. 6C

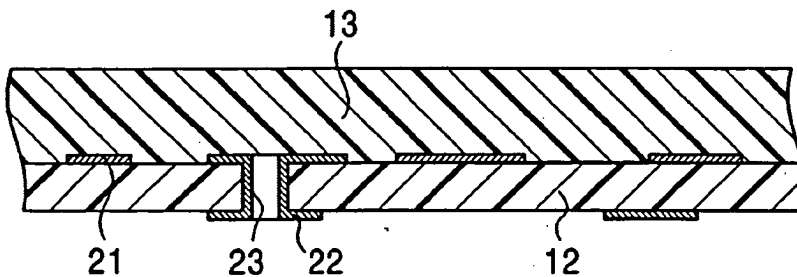


FIG. 6D

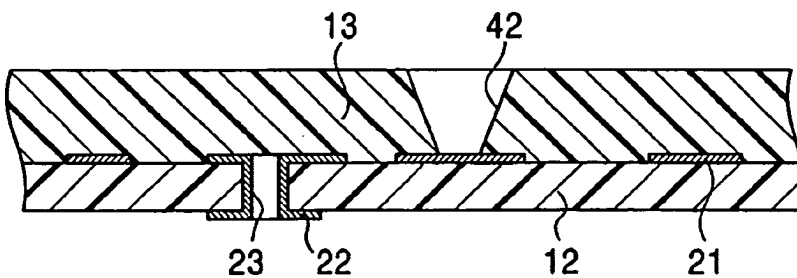


FIG. 6E

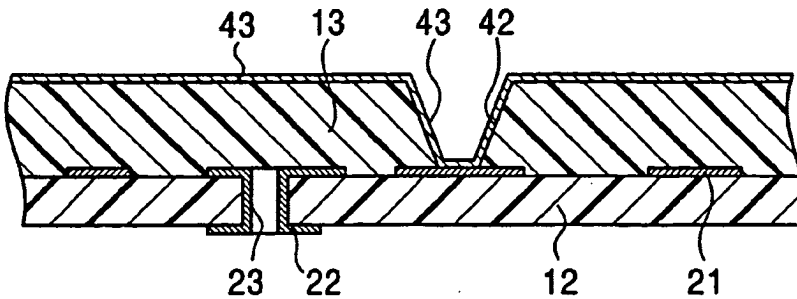
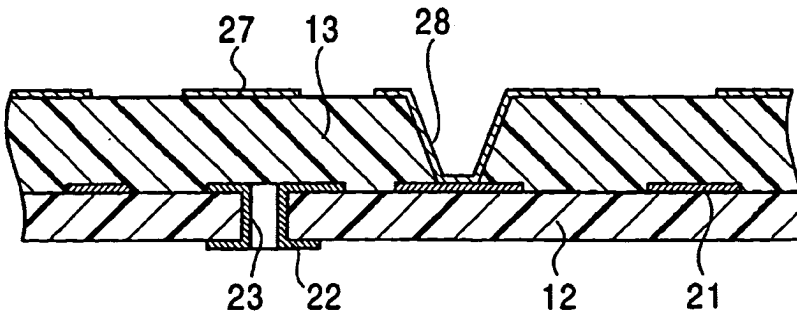


FIG. 6F



09970593 "100401